

6HDØW, '7  
ØWLEHDP(FRRØU

6HDIORRU6HD5\$  
ØWLEHDP(FRRØU

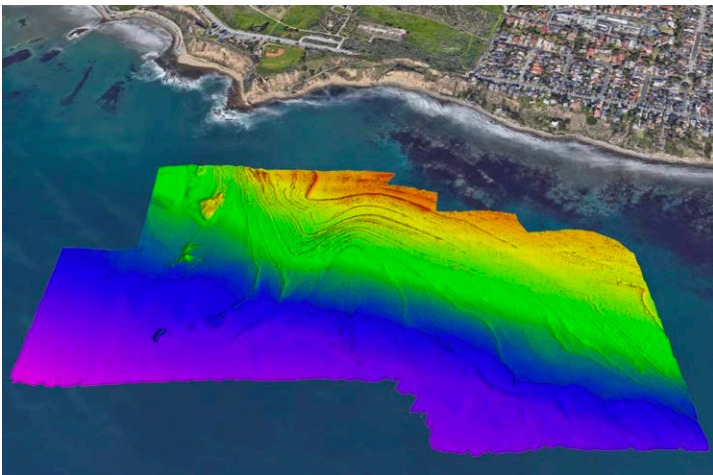


## SONAR SPECIFICATIONS

- Frequency: 190 kHz to 420 kHz
- Swath: 120° to 210°
- Bottom Coverage Per Swath: 3.5xWD to >20xWD
- Beam Angle, Along Track: 1.5° to 0.5°
- Resolution: 36 mm to 6 mm
- Number of Beams: 10 - 1024
- Depth Ranges: 0.5m to 600m
- Power: 12W to 300W  
12VDC to 24 VDC  
110-230 VAC
- Weight: Sonar Head - 3 kg to 14 kg
- Size, Sonar Head: (200 mm x 170 mm) to (460 mm x 280 mm)

## SONAR OPTIONS

- Dual Head
- Roll Stabilization
- Swath Steering
- Head Tilt
- Frequency Modulation
- Adaptive Gates
- Sidescan Output
- Snippets Backscatter Output
- Water Column Output
- Splashproof or RackMount Processor
- Integrated INS
- MultiDetect (multiple bottom detections per beam for information on items in the water column)



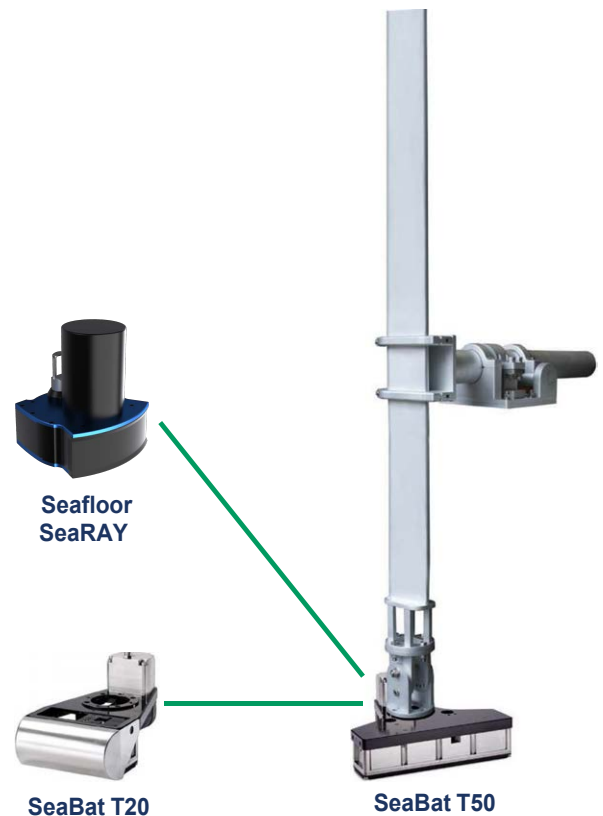
Multibeam Echosounder Data from Nearshore Environment

## INERTIAL NAVIGATION SYSTEM

- Positioning: 2 m to 8 mm
- Roll / Pitch: 0.05° to 0.01°
- Heading: 0.06° to 0.01°
- Heave: 5 cm to 2 cm
- True Heave
- RTK

## EQUIPMENT / SOFTWARE OPTIONS

- PC or Laptop
- Head-Tilt Adaptor (15,30,45)
- Hydrographic Data Collection and Processing SW
- Onsite Installation and Training
- Extended Warranties
- Cube Editing
- Bottom Classification Capability
- Post Kinematic Aided Inertial Post Processing SW



Seafloor's Hydrolite-MB Portable Integrated Multibeam Sonar System can fit a variety of components needed to complete your survey. Customizable for any job.